

- Reference IS/IEC Standard as follows :
- 1 - FLAMEPROOF (Ex d) PROTECTION - IIA/IIb & IIC, IS/IEC 60079-1 (2014)
  - TEMPERATURE CLASS - T6
  - 2 - INGRESS (IP) PROTECTION - IP-66, IS/IEC 60529 (2001). (Reaffirmed 2014)

Standard Specification :

- 1 - MATERIAL - CAST ALUMINIUM ALLOY
- 2 - FINISH - INSIDE & OUTSIDE LIGHT GREY EPOXY POWDER COATING SHADE No. 631 AS PER IS-5
- 3 - EARTHING - 1 No. INSIDE & 2 Nos. OUTSIDE M6 SIZE S.S./BRASS SCREWS WITH 2 Nos. PLAIN WASHER
- 4 - HARDWARE - STAINLESS STEEL
- 5 - GASKET - 'O' RING NEOPRENE RUBBER GASKET
- 6 - MOUNTING ARRGT. - AS SHOWN IN DRG.

Material / Components Specification :

- 1 - S.S. NAME CUM WARNING PLATE (WITH DESCRIPTION TITLE, CIMFR, PESO, SR. NO., GAS GROUP, RATING, BIS MARKING, WARNING STATUS, etc...)
- 2 - INTERNAL SIZE OF ENCLOSURE (BODY+COVER) - ø100 x 60mm
- 3 - LIMIT SWITCH - 1 No. 10 Amp., 415V AC 1NO + 1NC LIMIT SWITCH ELEMENT SNAP ACTION TYPE OF 'AVON/SIEMENS' MAKE.
- 4 - CABLE ENTRIES - 2 Nos. BOTTOM SIDE CABLE ENTRIES OF M20 / 1/2" NPT / 3/4" ET SIZE - REFER DRAWING
- 5 - CABLE GLAND - (Ex d) DOUBLE COMPRESSION TYPE CABLE GLAND OF 'SUDHIR' MAKE
- 6 - STOPPING PLUG - (Ex d) STOPPING PLUG OF 'SUDHIR' MAKE

- Fitting OPTIONS :
- 1) MATERIAL CONSTRUCTION : STAINLESS STEEL
  - 2) VOLTAGE : 110V / 230V / 415V AC
  - 3) CABLE GLAND & PLUG : BRASS/S.S./ALUMINIUM
  - 4) PAINT SHADE : 632/356/7031/7032, etc... (As per Standard)
  - 5) AMP. RATING : UP TO 10 Amp. (MAX.)

NOTE :  
 COMPONENT LAYOUT IS TENTATIVE RELOCATION OF PARTS & COMPONENTS IS POSSIBLE AT THE TIME OF ACTUAL MANUFACTURING.  
 OVERALL DIMENSIONS ARE ±10mm

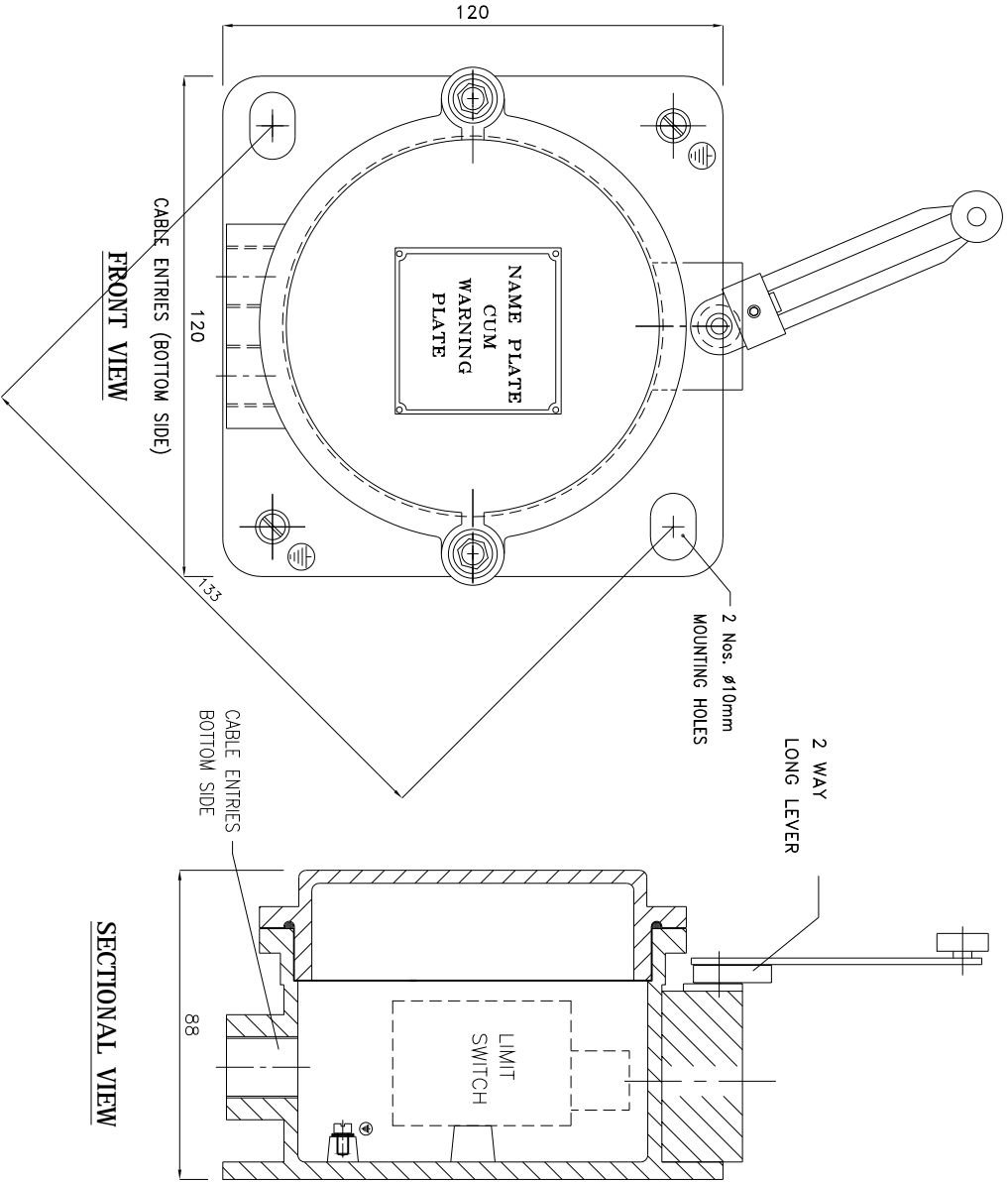
REV.	DATE	DESCRIPTION	DRN.	CHD.	APPD.	SCALE	CR. No.	MODEL No.	DRN.	CHD.	APPD.	SCALE	CR. No.	MODEL No.	DRN.	CHD.	APPD.	SCALE
Δ							LS/20/2025	LS/2025-A										
Δ																		
Δ																		

THIS DRAWING IS PROPERTY OF "SUDHIR SWITCHGEARS PVT. LTD." AND MUST BE RETURNED ON REQUEST IF IT IS SUBMITTED AS CONFIDENTIAL INFORMATION IN CONNECTION WITH ENQUIRY, TENDER, ORDER, OR CONTRACTS IT IS NOT TO BE USED FOR ANY OTHER PURPOSE OR ORDER NOR MAY IT RE-COPIED OR LENT WITHOUT OUR AUTHORITY IN WRITING.

**SUDHIR SWITCHGEARS PVT. LTD.**  
 130, MULBETA SAMACHER MARG, MULBETA - 400 023

TITLE : **FLAMEPROOF-WEATHERPROOF ENCLOSURE FOR LIMIT SWITCH (TOP PUSH ROLLER)**

DR. CERT. No. : IN/CIMFR/TR21/P/H193  
 Dt. 19/08/2021  
 PESO No. : P546022/1  
 Dt. 26/09/2022  
 BIS LICENCE No. : CM/L-0002914461



- Reference IS/IEC Standard as follows :
- 1 - FLAMEPROOF (Ex d) PROTECTION - IIA/IIb & IIC, IS/IEC 60079-1 (2014)
  - TEMPERATURE CLASS - T6
  - 2 - INGRESS (IP) PROTECTION - IP-66, IS/IEC 60529 (2001). (Reaffirmed 2014)

Standard Specification :

- 1 - MATERIAL - CAST ALUMINIUM ALLOY
- 2 - FINISH - INSIDE & OUTSIDE LIGHT GREY EPOXY POWDER COATING SHADE No. 631 AS PER IS-5
- 3 - EARTHING - 1 No. INSIDE & 2 Nos. OUTSIDE M6 SIZE S.S./BRASS SCREWS WITH 2 Nos. PLAIN WASHER
- 4 - HARDWARE - STAINLESS STEEL
- 5 - GASKET - 'O' RING NEOPRENE RUBBER GASKET
- 6 - MOUNTING ARRGT. - AS SHOWN IN DRG.

Material / Components Specification :

- 1 - S.S. NAME CUM WARNING PLATE (WITH DESCRIPTION TITLE, CIMFR, PESO, SR. NO., GAS GROUP, RATING, BIS MARKING, WARNING STATUS, etc...)
- 2 - INTERNAL SIZE OF ENCLOSURE (BODY+COVER) - Ø100 x 60mm
- 3 - LIMIT SWITCH - 1 No. 10 Amp., 415V AC 1NO + 1NC LIMIT SWITCH ELEMENT SNAP ACTION TYPE OF 'AVON/SIEMENS' MAKE.
- 4 - CABLE ENTRIES - 2 Nos. BOTTOM SIDE CABLE ENTRIES OF M20 / 1/2" NPT / 3/4" ET SIZE - REFER DRAWING
- 5 - CABLE GLAND - (Ex d) DOUBLE COMPRESSION TYPE CABLE GLAND OF 'SUDHIR' MAKE
- 6 - STOPPING PLUG - (Ex d) STOPPING PLUG OF 'SUDHIR' MAKE

Fitting OPTIONS :

- 1) MATERIAL CONSTRUCTION : STAINLESS STEEL
- 2) VOLTAGE : 110V / 230V / 415V AC
- 3) CABLE GLAND & PLUG : BRASS/S.S./ALUMINIUM
- 4) PAINT SHADE : 632/356/7031/7032, etc... (As per Standard)
- 5) AMP. RATING : UP TO 10 Amp. (MAX.)

NOTE :

COMPONENT LAYOUT IS TENTATIVE RELOCATION OF PARTS & COMPONENTS IS POSSIBLE AT THE TIME OF ACTUAL MANUFACTURING.  
OVERALL DIMENSIONS ARE ±10mm

REV.	DATE	DESCRIPTION	DRN.	CHD.	APPD.	SCALE	CAT. No.	Model No.	DRN.	CHKD.	APPD.	SHEET	OF	REV.	QMR. CERT. No.	PESO No. :	BIS LICENCE No. :
Δ							LS/20/2025	LS/2025-B				1	1	0	IN/CIMFR/TR21/P/H193	P546022/1	CW/L-0002914461
Δ																	
Δ																	

THIS DRAWING IS PROPERTY OF "SUDHIR SWITCHGEARS PVT. LTD." AND MUST BE RETURNED ON REQUEST IF IT IS SUBMITTED AS CONFIDENTIAL INFORMATION IN CONNECTION WITH ENQUIRY, TENDER, ORDER, OR CONTRACTS IT IS NOT TO BE USED FOR ANY OTHER PURPOSE OR ORDER NOR MAY IT RE-COPIED OR LENT WITHOUT OUR AUTHORITY IN WRITING.